

SPARE PARTS CATALOGUE

ACCESSORIES

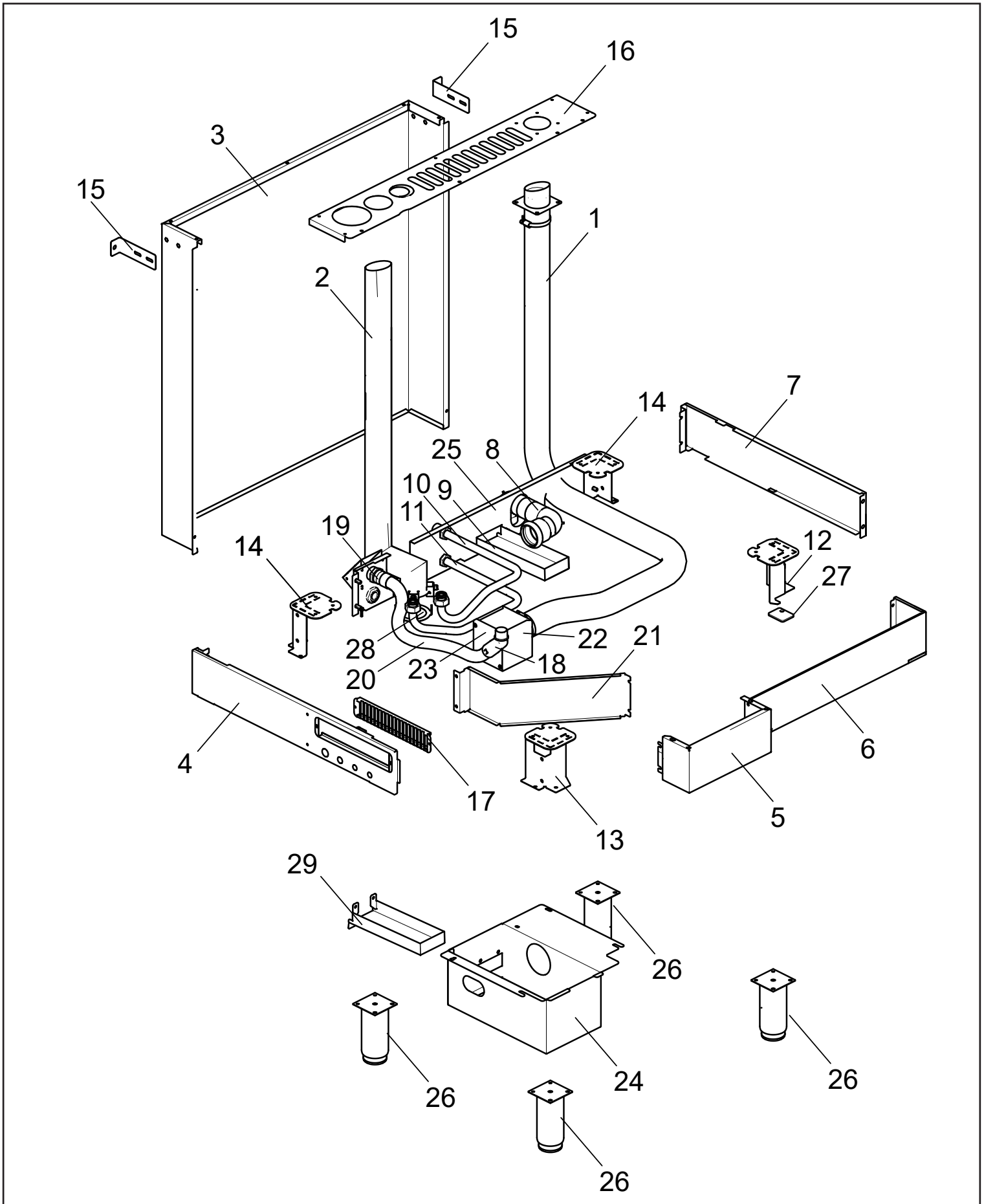
STACKING KIT & WALL SEALING KIT

PNC	MODEL	REF.	PAG.	DESCRIPTION	NOTE/ BRAND
922422	STKIT_1/1	c	5-6	STACKING KIT FOR 6 GN 1/1 OVEN ON 6&10 GN 1/1 EL. OVEN - H=150MM - MARINE	EPR
922423	STKIT_2/1	d	5-6	STACKING KIT FOR 6 GN 2/1 OVEN ON 6&10 GN 2/1 EL. OVEN - H=150MM - MARINE	EPR
922424	SEAL6_61/1	e	7-8	WALL SEALING KIT FOR STACKED EL. OVENS 6 ON 6 GN 1/1 - MARINE	EPR
922425	SEAL6_10_1/1	f	7-8	WALL SEALING KIT FOR STACKED EL. OVENS 6 ON 10 GN 1/1 - MARINE	EPR
922426	SEAL6_62/1	g	7-8	WALL SEALING KIT FOR STACKED EL. OVENS 6 ON 6 GN 2/1 - MARINE	EPR
922427	SEAL6_10_2/1	h	7-8	WALL SEALING KIT FOR STACKED EL. OVENS 6 ON 10 GN 2/1 - MARINE	EPR
922620	STK61161011	a	3-4	STACKING KIT FOR 6 GN 1/1 OVEN ON ELECTRIC 6&10 GN 1/1 OVEN - H=120MM	Multibrand
922621	STK61161021	b	3-4	STACKING KIT FOR 6 GN 2/1 OVEN ON ELECTRIC 6&10 GN 2/1 OVEN - H=120MM	Multibrand

INDEX - INDICE

PAG.

STACKING KIT ELECTRIC OVENS MAIN STRUCTURE	3
SPARE PARTS LIST - STACKING KIT ELECTRIC OVENS MAIN STRUCTURE	4
STACKING KIT MARINE OVENS MAIN STRUCTURE	5
SPARE PARTS LIST - STACKING KIT MARINE OVENS MAIN STRUCTURE	6
WALL SEALING KIT	7
SPARE PARTS LIST - WALL SEALING KIT	



STACKING KIT ELECTRIC OVENS MAIN STRUCTURE

From Ser. Nr.
Up to Ser. Nr.

Ed. 01 2023-08
Ed. 01 2023-10

Page: 3

@

Doc No: 595406S00

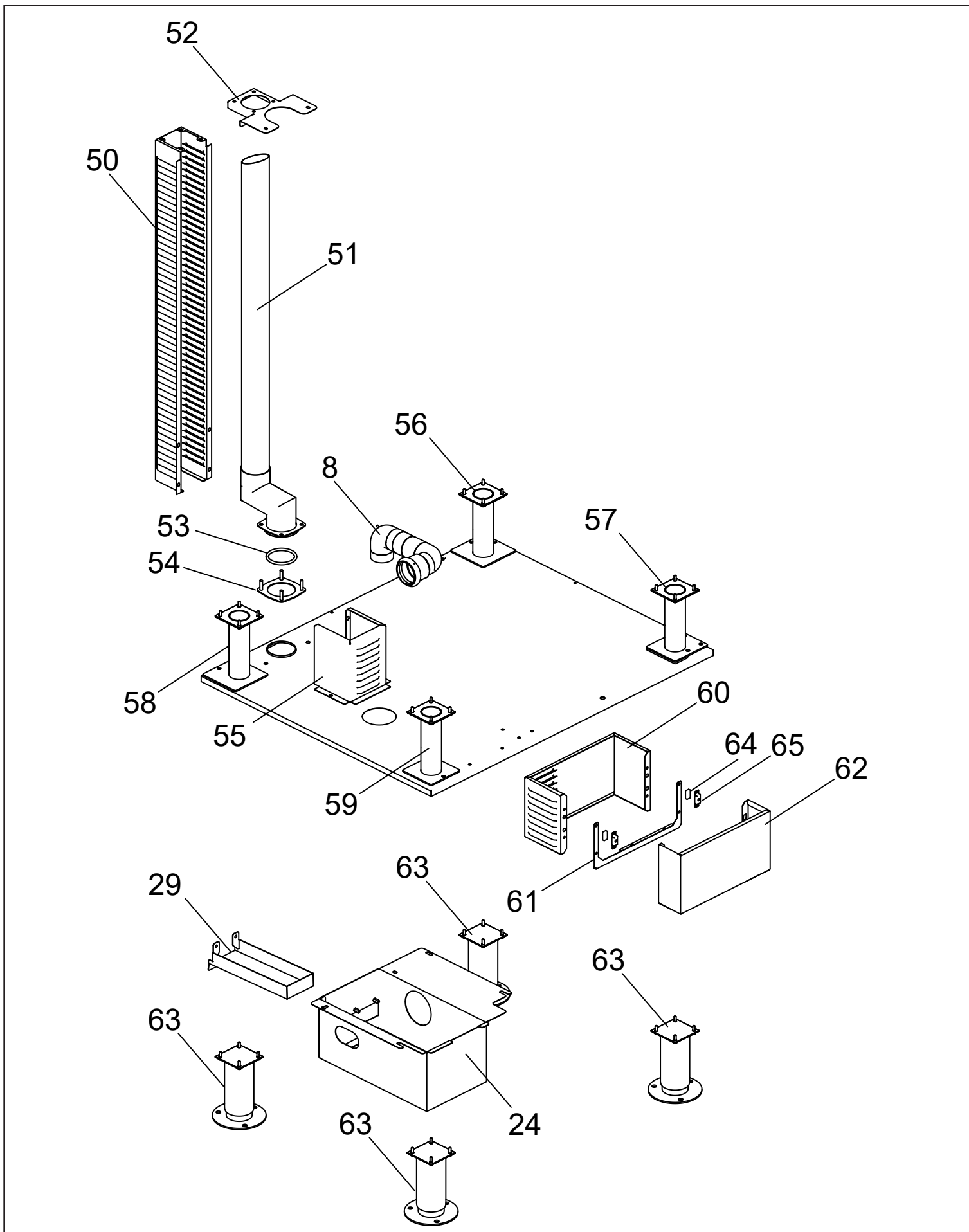
POS	FACTORY CODE	S.P. CODE	DESCRIPTION	V	W&T	REF.	NOTES	S/N BREAK (YYYY/WK)
1	0515408C01	0TTMEV	HOSE AL-AL DN 60,5		X			
2	0515408Q01	0CK620	CHIMNEY EXHAUST PIPE D60 1/1		X	a	GN 1/1	
2	0515408R01	0CK851	CHIMNEY EXHAUST PIPE D60 2/1		X	b	GN 2/1	
3	0500408J00	0CK796	BACK PANEL 1/1		X	a	GN 1/1	
3	0500408K00	0CK847	BACK PANEL 2/1		X	b	GN 2/1	
4	0800402X00	0TLLD	LEFT PANEL ASSEMBLY 1/1		X	a	GN 1/1	
4	0800402Z00	0CK853	LEFT PANEL ASSEMBLY 2/1		X	b	GN 2/1	
5	0500408200	0TTLHE	DASHBOARD CLOSURE PANEL 1/1		X	a	GN 1/1	
5	0500408300	0TTLJR	DASHBOARD CLOSURE PANEL 2/1		X	b	GN 2/1	
6	0500407Y00	0TTMMN	FRONT PANEL 1/1		X	a	GN 1/1	
6	0500407Z00	0CK845	FRONT PANEL 2/1		X	b	GN 2/1	
7	0500407U00	0CK794	RIGHT PANEL 1/1		X	a	GN 1/1	
7	0500407V00	0CK844	RIGHT PANEL 2/1		X	b	GN 2/1	
8	080540BV00	0CK803	DRAIN ASSEMBLY	X				
9	050440DQ00	0TLLB	OVERFLOW TRAY		X			
10	0515408600	0TTLQ7	SOFTENED WATER INLET PIPE 1/1	X		a	GN 1/1	
10	0515408700	0CK831	SOFTENED WATER INLET PIPE 2/1	X		b	GN 2/1	
11	0515408500	0TTLQ8	WATER INLET PIPE 1/1	X		a	GN 1/1	
11	0515408800	0TTMH4	WATER INLET PIPE 2/1	X		b	GN 2/1	
12	0800402Q00	0CK792	RIGHT FRONT SUPPORT		X			
13	0800402R00	0CK793	LEFT FRONT SUPPORT		X			
14	0800402S00	0TTLU9	REAR SUPPORT.		X			
15	0500408N00	0CK805	WALL FIXING BRACKET		X			
16	0500408P00	0TTLZQ	FUME EXHAUST COVER 1/1		X	a	GN 1/1	
16	0500408Q00	0TTMIM	FUME EXHAUST COVER 2/1		X	b	GN 2/1	
17	0503407301	0CK176	FILTER SUPPORT		X			
18	0544818300	0CK800	45° FITTING PG21 INDUPLAS COD. A28023000001000		X	a	GN 1/1	
18	0544823500	0CK848	45° FITTING PG29 INDUPLAS COD. A28029000001000		X	b	GN 2/1	
19	0544818400	0CK801	FITTING SFA PG21 INDUPLAS COD. A42023000001000		X	a	GN 1/1	
19	0544823600	0CK849	FITTING SFA PG29 INDUPLAS COD. A42029000001000		X	b	GN 2/1	
20	0544818500	0CK802	POWER SUPPLY CABLE PROTECTION HOSE		X	a	GN 1/1	
20	0544823700	0CK850	POWER SUPPLY CABLE PROTECTION HOSE		X	b	GN 2/1	
21	050440D901	0TLLC	VENTILATION CLOSURE 1/1		X	a	GN 1/1	
21	050440DB01	0CK852	VENTILATION CLOSURE 2/1		X	b	GN 2/1	
22	0800403R00	0CK797	AIR CONVEYOR BOX		X			
23	0505408J00	0CK798	COVER AIR CONVEYOR BOX		X			
24	0500409201	0CK807	CARTER AIRBREAK		X			
25	0500408A00	0CK795	CONNECTION PLATE 1/1		X	a	GN 1/1	
25	0500408B00	0CK846	CONNECTION PLATE 2/1		X	b	GN 2/1	
26	085540CY00	0CK015	ADJUSTABLE FOOT H 150		X			
27	0506406P00	0CK804	FRON FOOT SHEET METAL THICKNESS		X			
28	0800403C00	0CK421	LOWER STEAM DISCHARGE FLANGE		X			
29	050440FL00	0CK808	AIRBREAK OVERFLOW TRAY		X			

SPARE PARTS CODE - STACKING KIT ELECTRIC OVENS MAIN STRUCTURE

* On demand

Bold=last change

From Ser. Nr. Up to Ser. Nr.	Ed. 01 2023-08 Ed. 01 2023-10	Page: 4	Doc No: 595406S00
---------------------------------	----------------------------------	---------	--------------------------



STACKING KIT MARINE OVENS MAIN STRUCTURE

From Ser. Nr.
Up to Ser. Nr.

Ed. 01 2023-08
Ed. 01 2023-10

Page: 5

@

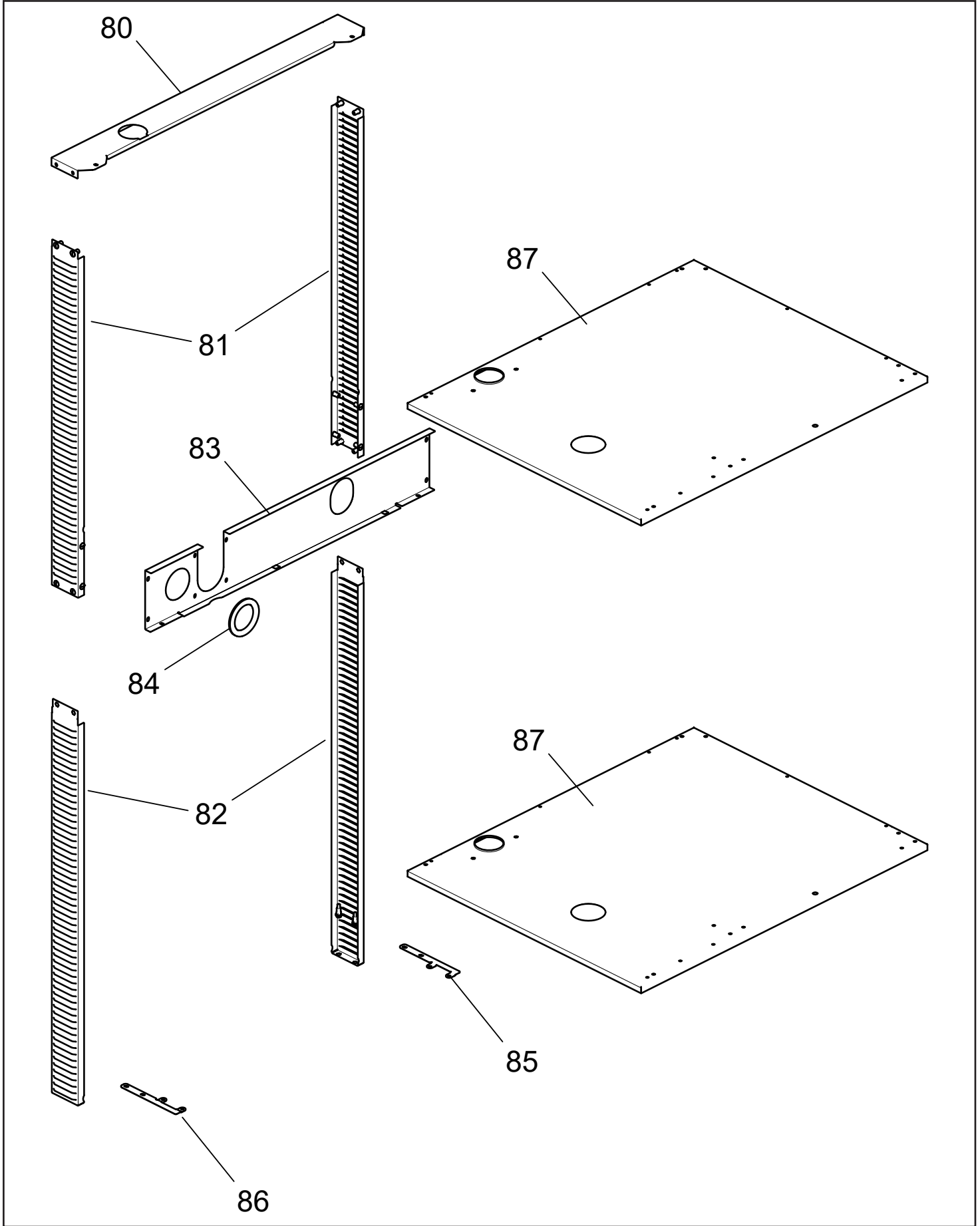
Doc No: 595406S00

POS	FACTORY CODE	S.P. CODE	DESCRIPTION	V	W&T	REF.	NOTES	S/N BREAK (YYYY/WK)
50	050040FB00		EXTERNAL BOX EXHAUST PIPE		X	c; d		
51	051540BD00	0CBCIF	STEAM EXHAUST PIPE 1/1		X	c		
51	051540BF00	0CBCIG	STEAM EXHAUST PIPE 2/1		X	d		
52	050040FC00	0CBCH6	UPPER BOX EXHAUST PIPE		X	c; d		
53	0543633Y00	0CK806	SILICONE OR 56.52X5.33		X	c; d		
54	050440JU00	0CBCID	BRACKET		X	c; d		
55	050040FA00	0CBCH5	INNER BOX EXHAUST PIPE		X	c; d		
56	083040R300	0CBCII	REAR RIGHT FOOT		X	c; d		
57	083040R500		FRONT RIGHT FOOT		X	c; d		
58	083040R200	0CBCIH	REAR LEFT FOOT		X	c; d		
59	083040R400	0CBCIJ	FRONT LEFT FOOT		X	c; d		
60	050040F300	0CBCGY	REAR AIR INTAKE BOX 1/1		X	c		
60	050040FH00	0CBCIA	REAR AIR INTAKEBOX 2/1		X	d		
61	050040F500	0CBCH0	SUPPORT FOR ASPIRATING BOX 1/1		X	c		
61	050040FK00	0CBCIC	SUPPORT FOR ASPIRATING BOX 2/1		X	d		
62	050040F400	0CBCGZ	FRONT AIR INTAKE BOX 1/1		X	c		
62	050040FJ00	0CBCIB	FRONT AIR INTAKE BOX 2/1		X	d		
63	085540J400	0CBCIK	FLANGED FEET		X	c; d	x4	
64	0506407A00	0CBCIE	MAGNET SUPPORT		X	c; d		
65	0549802700	0CBAP3	NEODYMIUM MAGNET 20X5X10		X	c; d		

SPARE PARTS CODE - STACKING KIT MARINE OVENS MAIN STRUCTURE

* On demand **Bold=last change**

From Ser. Nr. Up to Ser. Nr.	Ed. 01 2023-08 Ed. 01 2023-10	Page: 6	Doc No: 595406S00
---------------------------------	----------------------------------	---------	--------------------------



WALL SEALING KIT

From Ser. Nr.
Up to Ser. Nr.

Ed. 01 2023-08
Ed. 01 2023-10

Page: 7 @

Doc No: 595406S00

POS	FACTORY CODE	S.P. CODE	DESCRIPTION	V	W&T	REF.	NOTES	S/N BREAK (YYYY/WK)
80	050040F100	0CBCGW	STACKING KIT TOP COVER		x	e; f		
80	050040FF00	0CBCH8	STACKING KIT TOP COVER		x	g; h		
81	050040F600	0CBCH1	UPPER SIDE SPACER		x	e; f; g; h	x2	
82	050040FD00	0CBCH7	LOWER SIDE SPACER		x	e; g	x2	
82	050040F700	0CBCH2	LOWER SIDE SPACER		x	f; h	x2	
83	050040F200	0CBCGX	BACK SPACER		x	e; f		
83	050040FG00	0CBCH9	BACK SPACER		x	g; h		
84	0543801400	053829	STEAM VENT GASKET		x	e; f; g; h		
85	050040F900	0CBCH4	RIGHT LOWER SPACER SUPPORT		x	e; f; g; h		
86	050040F800	0CBCH3	LEFT LOWER SPACER SUPPORT		x	e; f; g; h		
87	050340D500	0CK9B0	TOP PANEL 6-10 1/1 MARINE		x	e; f; g; h		

SPARE PARTS CODE - WALL SEALING KIT

* On demand

Bold=last change

From Ser. Nr. Up to Ser. Nr.	Ed. 01 2023-08 Ed. 01 2023-10	Page: 8	Doc No: 595406S00
---------------------------------	----------------------------------	---------	--------------------------

Electrolux Professional SpA
Viale Treviso, 15
33170 Pordenone, ITALY
Fax (+39) 0434 380 201
<https://www.electroluxprofessional.com>
<https://webgate.electroluxprofessional.com>